

Paper Bagger

This packaging machine has the ability to fill two paper block bottom bags simultaneously and close them using the sewing head. The machine's magazine can be refilled easily during production, and in case one of the magazines runs empty, the other side can continue to function without disturbance. The bags are clamped straight in the V-belt by the servo-driven conveyor belts to ensure they pass as straight as possible through the sewing head for proper closure.



FEATURES

- An automatic packaging machine designed for producing block bottom paper bags
- Double layer paper, printed on the outside
- Bags with handles and viewing window available
- Can be combined with different weighers

PARTNER OPTIONS

- M2 XXL
- MD10 XL
- MD12
- MD14 XL
- MD16
- M8 L
- M10i D
- M12 V
- M12i V
- MD16 D

PACKAGE SIZE RANGE

- 3 to 20 pounds

PACKAGE DIMENSION

- Min 6.3"w x9.8"h (160w x250h mm)
- Max 11.8"w x27.5"h (300w x700h mm)

CAPACITY / RATE

- 4 pounds up to 30 packages per minute*

AIR CONSUMPTION

- 1 CFM**

POWER

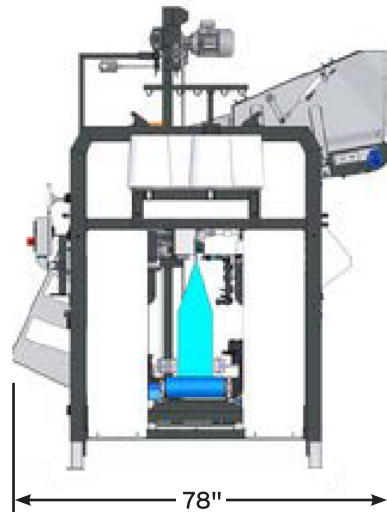
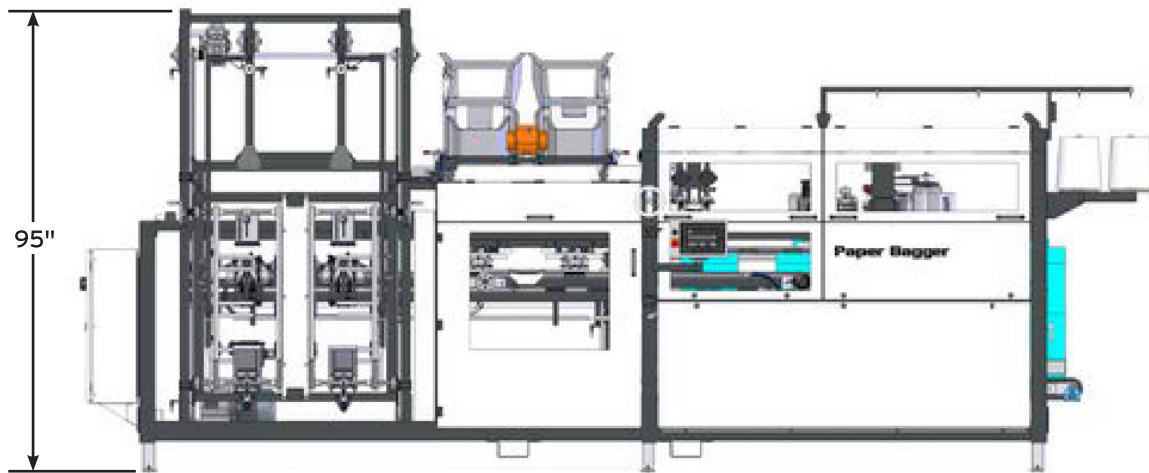
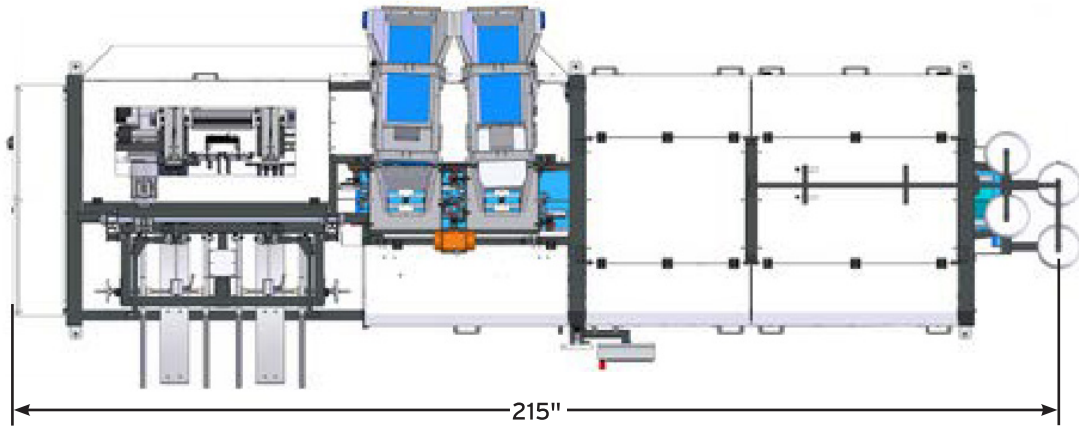
- 230 Volt, 3 phase and ground

MOST COMMON PRODUCTS

- Potatoes
- Onions
- Charcoal
- Wood Pellets

Custom testing is available for any product.

Paper Bagger



* Depends on product, infeed and discharge system.
** Actual air consumption will increase based on the chosen discharge system(s).
Measurements are rounded off to the nearest inch.